

## Receiver Protectors

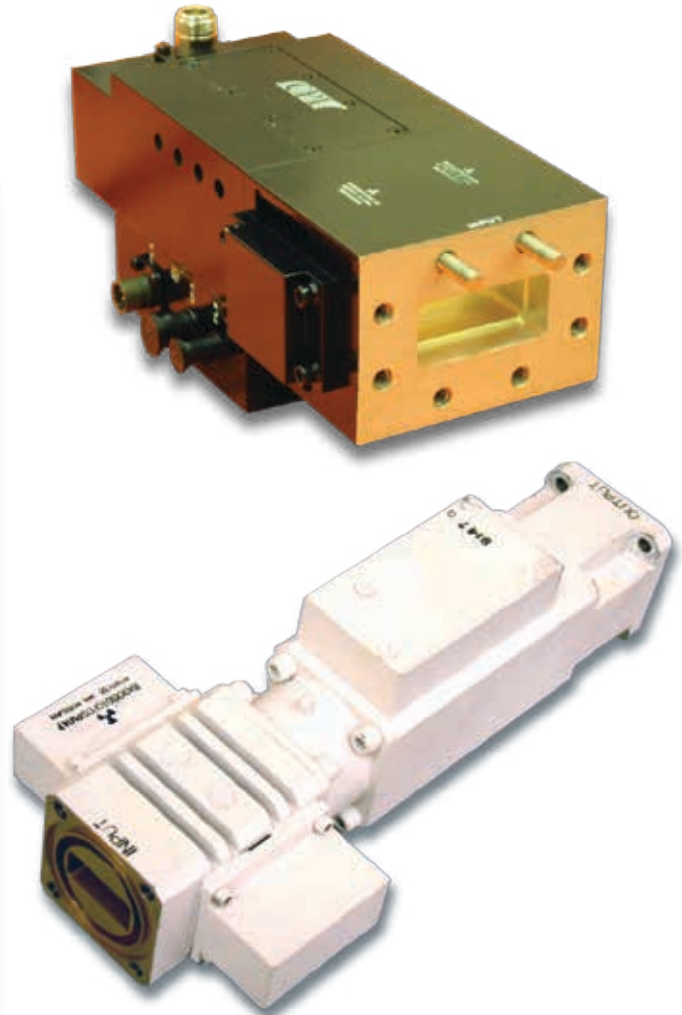
**Solid state limiters, TR limiters,  
Pre-TR Limiters, Pre-TR tubes, TR tubes,  
ATR tubes, Multipactors**

### Features:

- Passive operation protects even if system is turned off
- High power, high duty cycle operation
- Small contribution to system noise figure
- Low leakage protects even the most sensitive receivers
- Very fast recovery time ensures stable target detection at minimum range
- Integral multi-function capability available for improved performance at reduced cost
- Long operating and storage life available

### Benefits:

- World's largest manufacturer of receiver protectors
- State of the art facility with high level of vertical integration
- Extensive high power test capability
- In-house environmental test facility
- Computer modeling and automatic test capabilities



### Applications:

- Ground based radars
- Airborne radars
- Missile seekers
- Naval radars
- Unmanned aerial vehicles (UAV)
- Weather radars
- Air traffic control radars
- Navigation radars
- Fire control radars

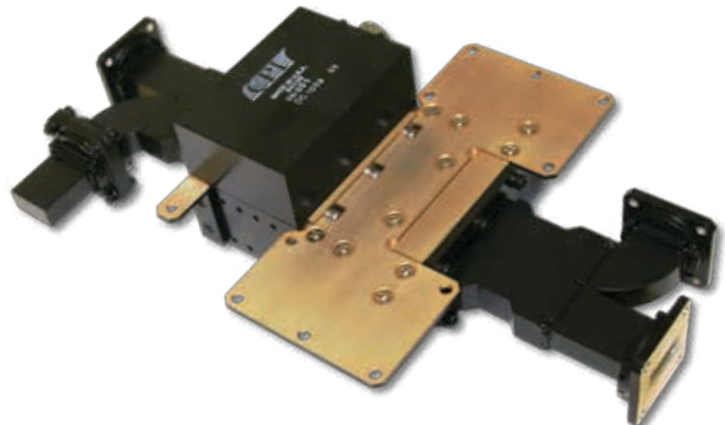


## Receiver Protectors, cont'd

Please note: The data below indicate typically achievable limits for receiver protectors in each frequency band. The actual combination of performance characteristics which may be realized for any specific device will depend on the design trade-offs required for its particular system application.

### General Performance Characteristics

Frequency band	VHF/UHF	L	S	C	X	Ku	K	Ka
Bandwidth (%)	>15	>15	>12	>12	>12	>12	>10	>8
Peak Power handling (kW)	1000	1000	1000	1000	250	250	100	100
Average power handling (kW)	50	50	45	20	10	5	2	1
Duty cycle	>10	>10%	>10%	>10%	>10%	>10%	>10%	>10%
Pulsewidth (uSec)	>200	>200	>200	>200	>200	>200	>200	>200
VSWR	1.3:1	1.3:1	1.4:1	1.4:1	1.4:1	1.4:1	1.5:1	1.5:1
Insertion loss (dB)	<0.5	<0.5	<0.6	<0.8	<1.0	<1.5	<1.8	<2.0
Flat leakage power (mW)	20	<20	<20	<20	<20	<20	<20	<20
Spike leakage power (mW)	100	<100	<100	<100	<100	<100	<100	<100
3dB Recovery time (uSec)	<1.0	<1.0	<1.0	<0.5	<0.1	<0.1	<0.1	<0.13 dB



## Receiver Protectors: Multi-function Capabilities

One or more additional functions can be integrated into almost any receiver protector, thus eliminating the need for extra system components. Doing this can result in better performance in a smaller package at lower overall cost. The features and benefits of typical functions which may be added to a receiver protector are on the next page.

### Excess Attenuation:

- Blanking, variable step, or continuously variable
- Maximum attenuation levels up to 60 dB or more
- Linearized or non-linearized
- With or without integral driver
- Analog or digital control

### **Benefits:**

- Attenuation function can be realized with minimal or possibly no additional insertion loss
- Lower overall cost
- Integration allows for more compact overall form factor



### BITE/ Fault Monitoring:

- Monitor limiter diode status
- Monitor stress on limiter diodes
- Monitor level of output leakage

### **Benefits:**

- Provides warning of impending failure of receiver protector
- Can be used to prevent failure of receiver protector and/or succeeding components
- Reduce overall system maintenance costs



## Receiver Protectors: Multi-function Capabilities, cont'd

### Low Noise Amplifiers:

- Noise Figure as low as 2.0

#### **Benefits:**

- Lower overall Noise Figure
- Lower overall cost
- Integration allows for more compact overall form factor



### Excess Noise Generation:

- Up to 15 dB excess noise
- Single level within +/- 1.5 dB tolerance
- Voltage control 12 V typical

#### **Benefits:**

- Can be incorporated with little to no additional insertion loss
- Useful for system calibration
- Lower overall cost
- Integration allows for more compact overall form factor

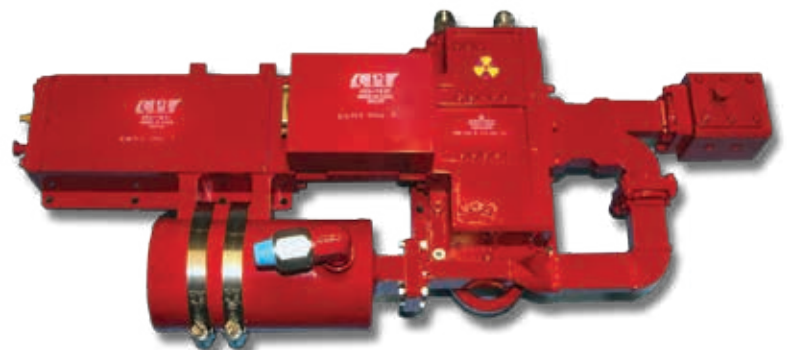


### Integrated Passive Functions:

- Filters
- Couplers
- Non-reflective limiting/ attenuation
- Extended operating life

#### **Benefits:**

- Lower overall cost
- Integration allows for more compact overall form factor
- Improved system performance





## Duplexers

Receiver protectors are normally used in a radar system as part of the duplexing function. In some configurations, the receiver protector actually performs the duplexing function in addition to its protection activities. CPI BMD has the capability to design and produce complete duplexers. This can offer the user improved performance at reduced size and lower overall costs. Typical duplexer configurations are discussed below.

### Circulator Duplexers

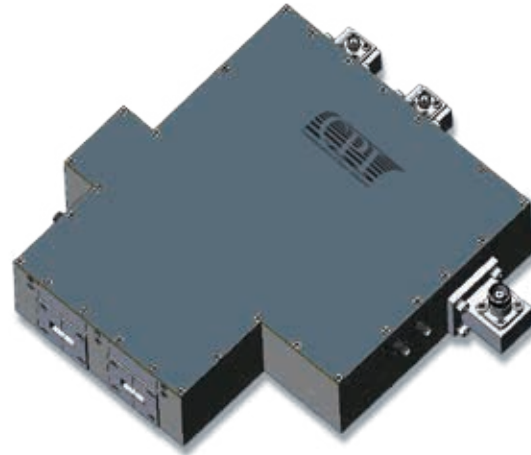
This is the most common type of duplexer found in modern radar systems. A 3 – or 4- port ferrite circulator performs the actual duplexing function. However, the isolation of the circulator is normally not high enough to adequately protect the receiver from the transmitter. So, a receiver protector is located in the receive channel to perform that function.

#### **Features:**

- Relatively broadband
- More compact configuration
- Moderate to high power handling

#### **Benefits:**

- Often can provide the best balance of cost, physical size, and operating characteristics
- Circulator has no operating life limit



### Balanced Hybrid Duplexers

In this duplexer type, a “switching element” is placed between two 90° hybrids. When the switching element is “off,” power is directed from the antenna port to the receiver port. When the switching element is “on,” power is directed from the transmitter port to the antenna port. The topology of a balanced hybrid duplexer is very flexible. The switching element can be anything from a dual SPST switch to a complete receiver protector. Depending upon the type of switching element used, a separate receiver protector may or may not be needed in the receive channel.

#### **Features:**

- Relatively broadband
- Very high power handling
- Can be designed with field replaceable parts

#### **Benefits:**

- Design flexibility
- Integral receiver protection



## Duplexers, cont'd

### Branched Duplexers

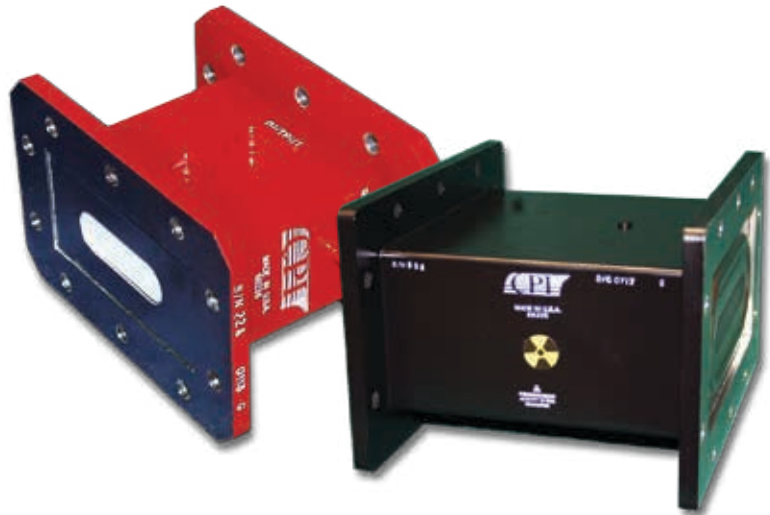
The branched duplexer is made by mounting a "switching element" to a Tee junction. When the switching element is "off," power is directed from the antenna port to the receiver port. When the switching element is "on," power is directed from the transmitter port to the antenna port. The switching element is usually a complete receiver protector.

#### Features:

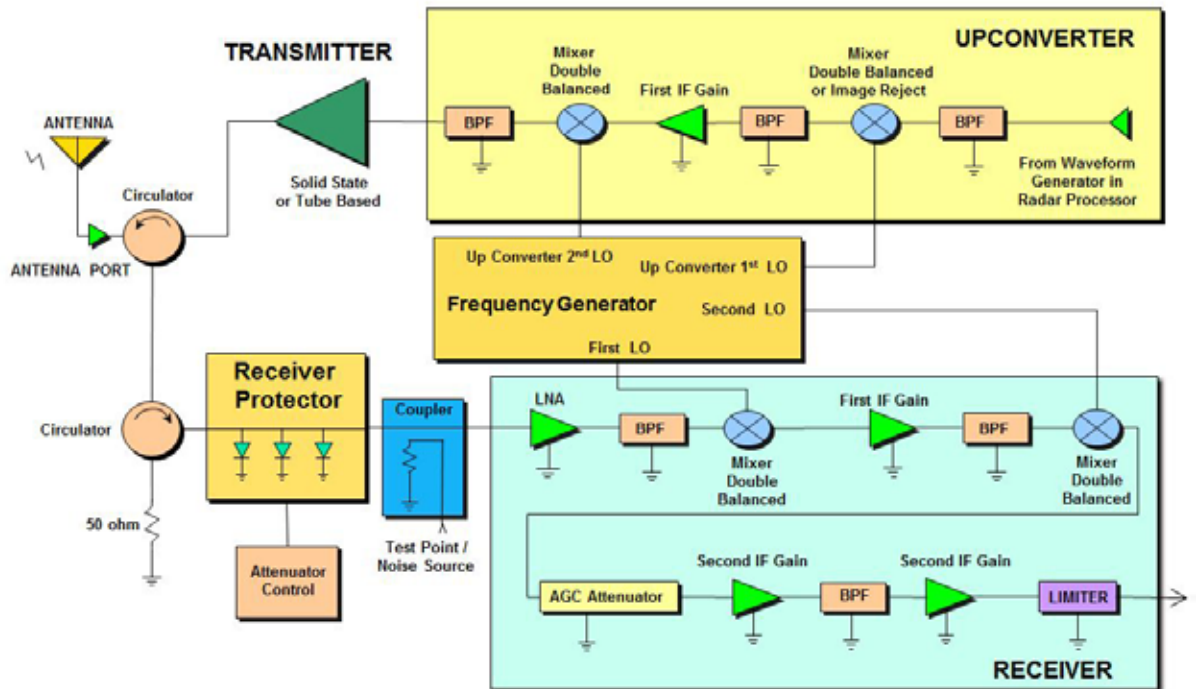
- Relatively narrow band
- High power handling
- Compact topology

#### Benefits:

- Low cost
- Integral receiver protection



This Radar Block Diagram depicts the various building blocks of a typical radar system that CPI BMD is capable of integrating to fit your design needs.



The values listed above represent specified limits for the product and are subject to change. The data should be used for basic information only. Formal, controlled specifications may be obtained from CPI for use in equipment design.