

ISOLATOR, MICROSTRIP



2W6NB

WiFi ISOLATOR SURFACE MOUNT

Renaissance Electronics is offering a low-profile WiFi 802.11a Isolator that is designed to fit into a PCMCIA card, or other small footprint applications.

The Isolator provides excellent match between the antenna and the rest of the receiver circuitry. It improves the signal-to-noise ratio, which improves system clarity and power consumption.

The Isolator provides excellent electrical performance over a broad temperature range. Additionally the Isolator is designed for pick & place automated assembly. Available in a Circulator option and for 802.11b configurations.

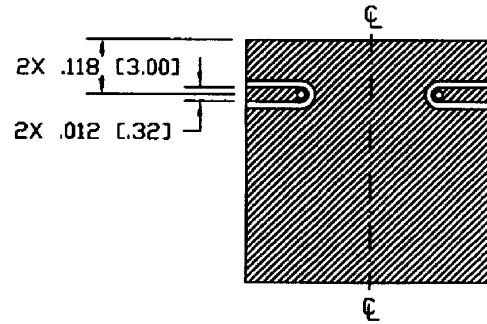
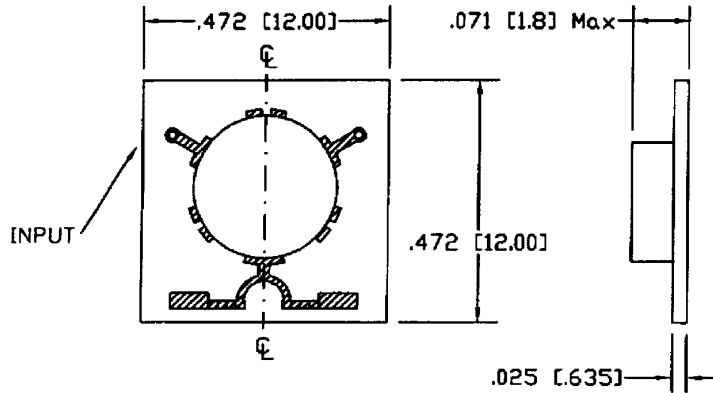
FEATURES:

- Very low profile
- 12 mm x 12 mm footprint
- Surface Mountable, standard reflow process
 - Low insertion loss
 - High isolation
 - High temperature stability
- Under \$5.00 at 1,000,000 pieces

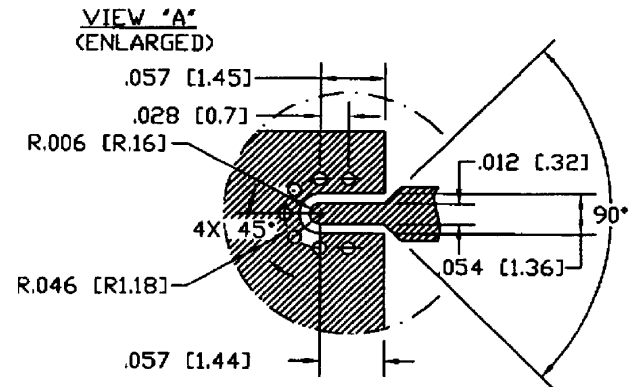
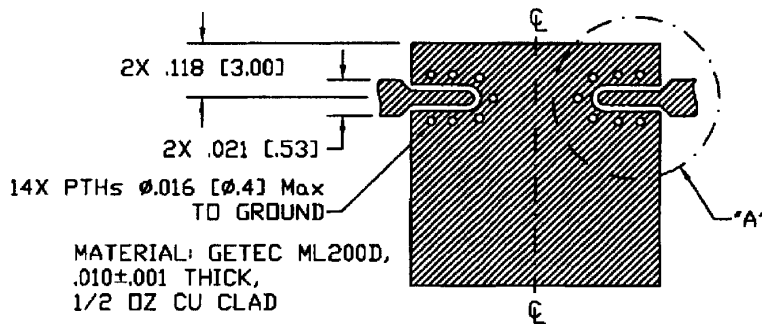
SPECIFICATIONS:

Common Specifications

Frequency Range:	5.15 - 5.35 GHz
Insertion Loss (max):	0.4 dB
Port-to-Port Isolation (min):	17 dB
VSWR:	1.3 : 1
Forward Power (max):	1 watt
Load (max):	0.5 watt
Temperature Range:	-40°C to +85°C



RECOMMENDED LAND PATTERN



ELECTRICAL CHARACTERISTICS:

Frequency Range GHz	Insertion Loss dB max	Port-to-Port Isolation dB min	VSWR	Forward Power Watts max	Load Watts max	Temp Range
5.15 - 5.35	0.4	17	1.3 : 1	1	0.5	-40°C to +85°C